



Micro Commercial Components

Micro Commercial Components  
 20736 Marilla Street Chatsworth  
 CA 91311  
 Phone: (818) 701-4933  
 Fax: (818) 701-4939

# DTC114TKA

## Features

- Built-in bias resistors enable the configuration of an inverter circuit without connecting external input resistors (see equivalent circuit)
- The bias resistors consist of thin-film resistors with complete isolation to allow negative biasing of the input. They also have the advantage of almost completely eliminating parasitic effects
- Only the on/off conditions need to be set for operation, making device design easy

## Absolute Maximum Ratings

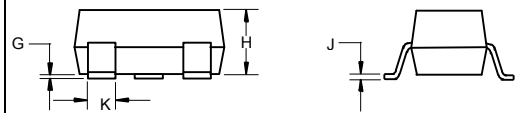
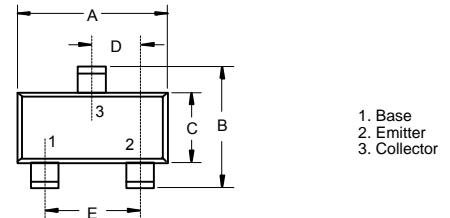
Parameter	Symbol	Value	Unit
Collector-Base Voltage	$V_{CBO}$	50	V
Collector-Emitter Voltage	$V_{CEO}$	50	V
Emitter-Base voltage	$V_{EBO}$	5	V
Collector Current-Continuous	$I_C$	100	mA
Collector Dissipation	$P_C$	200	mW
Junction Temperature	$T_J$	150	$^{\circ}C$
Storage Temperature Range	$T_{STG}$	-55~150	$^{\circ}C$

## Electrical Characteristics

Sym	Parameter	Min	Typ	Max	Unit
$V_{(BR)CBO}$	Collector-Base Breakdown Voltage ( $I_C=50\mu A, I_E=0$ )	50	---	---	V
$V_{(BR)CEO}$	Collector-Emitter Breakdown Voltage ( $I_C=1mA, I_B=0$ )	50	---	---	V
$V_{(BR)EBO}$	Emitter-Base Breakdown Voltage ( $I_E=50\mu A, I_C=0$ )	5	---	---	V
$I_{CBO}$	Collector Cut-off Current ( $V_{CB}=50V, I_E=0$ )	---	---	0.5	$\mu A$
$I_{EBO}$	Emitter Cut-off Current ( $V_{EB}=4V, I_C=0$ )	---	---	0.5	$\mu A$
$h_{FE}$	DC Current Gain ( $V_{CE}=5V, I_C=1mA$ )	100	300	600	---
$V_{CE(sat)}$	Collector-Emitter Saturation Voltage ( $I_C=10mA, I_B=1mA$ )	---	---	0.3	V
$R_1$	Input Resistor	7	10	13	$K\Omega$
$f_T$	Transition Frequency ( $V_{CE}=10V, I_C=-5mA, f=100MHz$ )	---	250	---	MHz

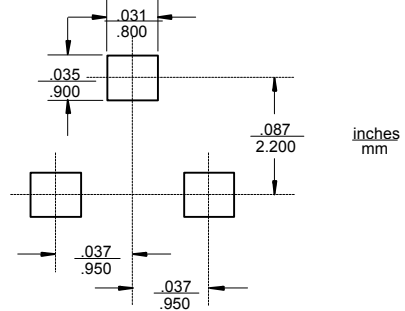
## NPN Digital Transistor

### SOT-23-3L



DIM	INCHES		MM		NOTE
	MIN	MAX	MIN	MAX	
A	.113	.117	2.87	2.97	
B	.108	.112	2.75	2.85	
C	.061	.065	1.55	1.65	
D	.036	.038	.925	.975	
E	.073	.077	1.85	1.95	
G	.0016	.0039	.04	.100	
H	.044	.049	1.12	1.25	
J	.006	.007	.14	.17	
K	.013	.015	.34	.37	

### Suggested Solder Pad Layout



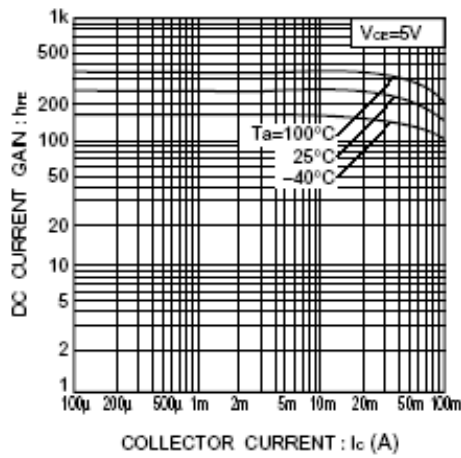


Fig.1 DC current gain vs. collector current

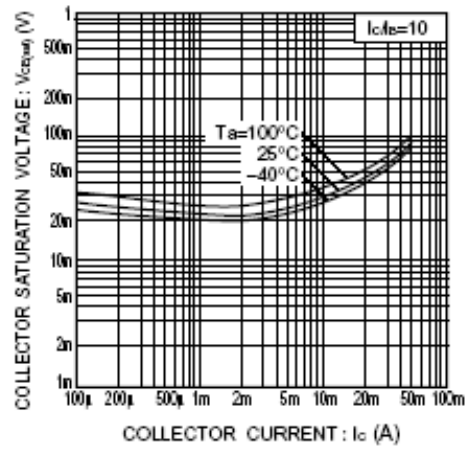


Fig.2 Collector-emitter saturation voltage vs. collector current

●Equivalent circuit

